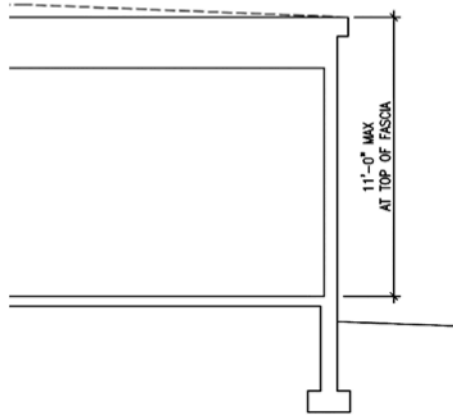
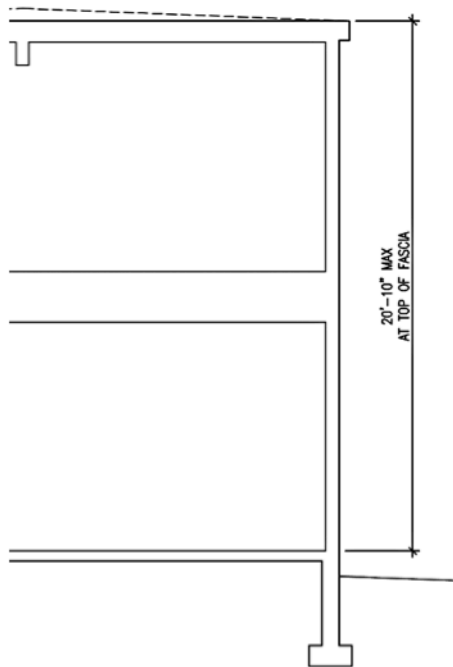


The following diagrams represent the most common roof profiles of the original Goodman/Davenport designs. Goodman may have utilized other roof structures.

The maximum heights indicated are intended for general reference to help designs be in appropriate scale with other structures in Hollin Hills. Maximum heights may vary depending on the context of a particular project. Fairfax County code and zoning may further restrict maximum heights.

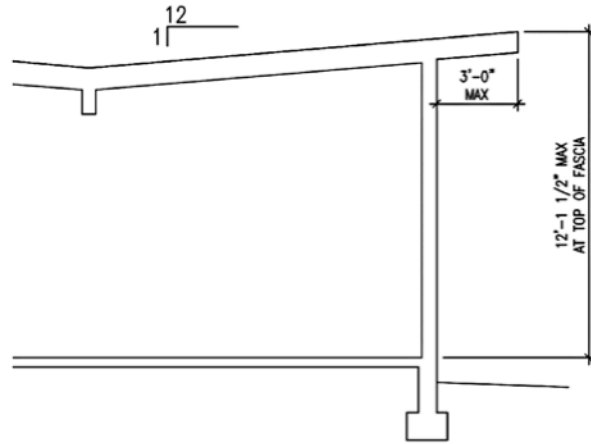


STORY "FLAT" ROOF STYLE
IF CAN HAVE MINIMAL SLOPE TO ATTAIN POSITIVE DRAINAGE.
OPENING TO EXTERIOR GUTTERS MUST BE UTILIZED.

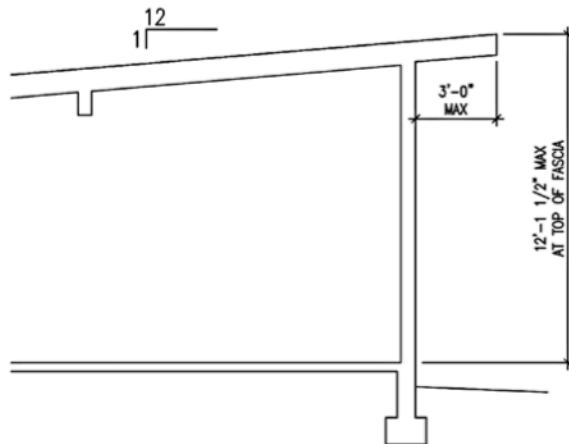


2 STORY "FLAT" ROOF STYLE
IF CAN HAVE MINIMAL SLOPE TO ATTAIN POSITIVE DRAINAGE.
OPENING TO EXTERIOR GUTTERS MUST BE UTILIZED.

Hollin Hills Roof Profile Diagrams

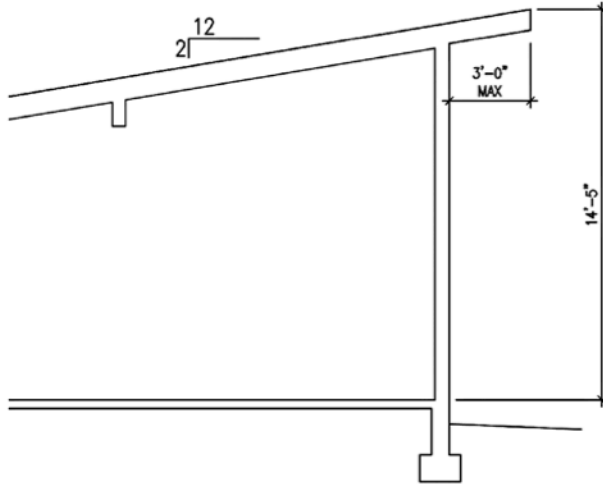


ONE STORY LOW SLOPE BUTTERFLY ROOF STYLE
ROOF SLOPE = 1:12

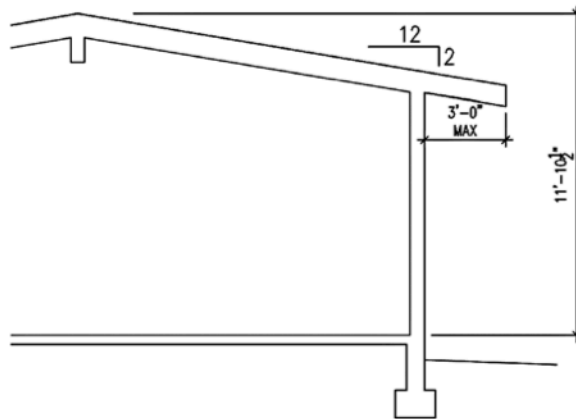


ONE STORY LOW SLOPE SHED ROOF STYLE
ROOF SLOPE = 1:12

Hollin Hills Roof Profile Diagrams

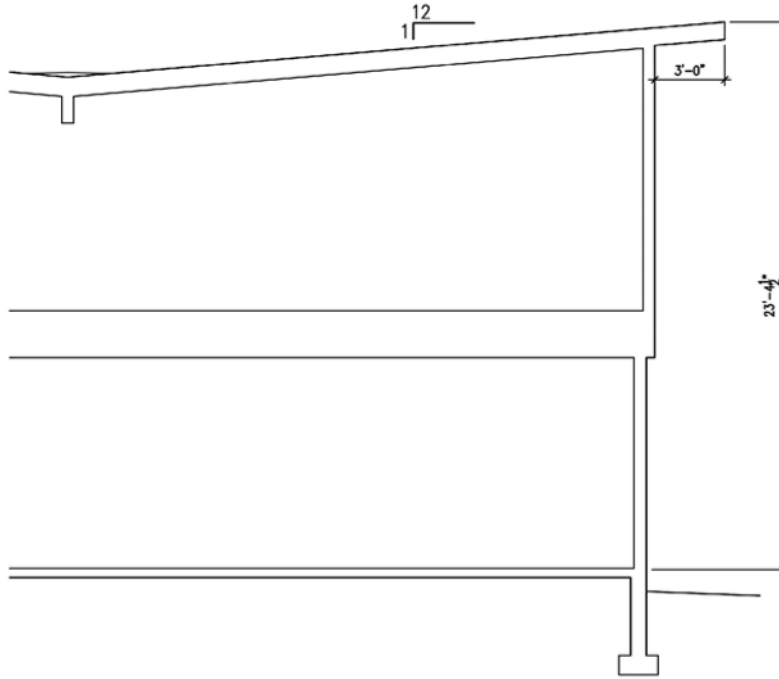


ONE STORY HIGH SLOPE SHED ROOF STYLE
ROOF SLOPE = 2:12

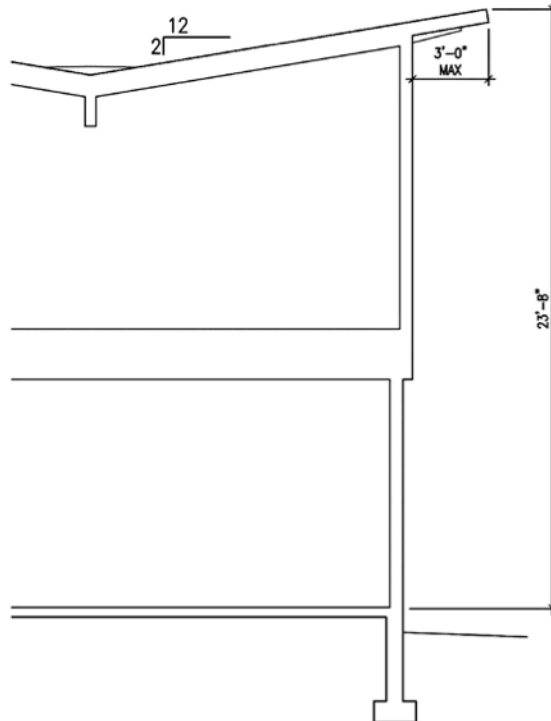


ONE STORY HIGH SLOPE GABLE ROOF STYLE
ROOF SLOPE = 2:12

Hollin Hills Roof Profile Diagrams

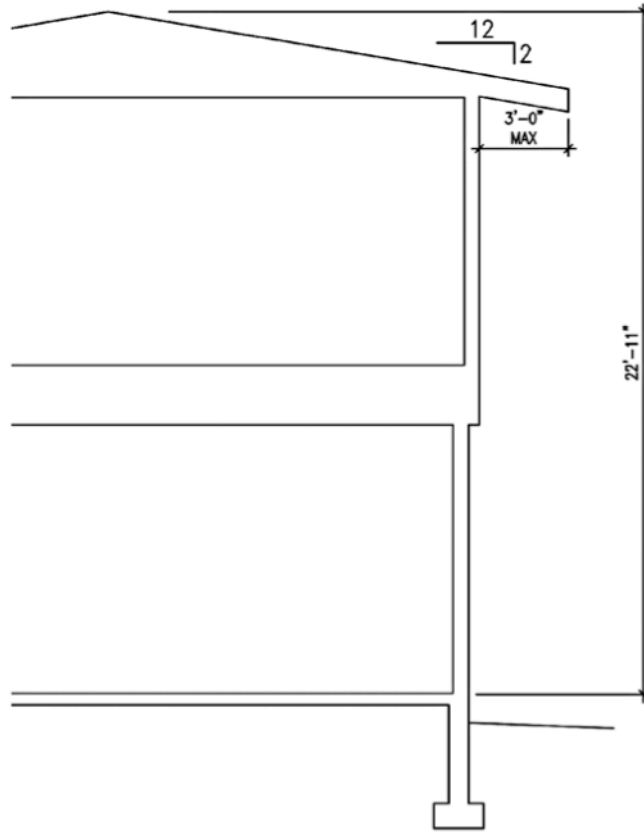


TWO STORY LOW SLOPE BUTTERFLY ROOF STYLE
SLOPE IS IN PARALLEL TO LONG FACADE
ROOF SLOPE = 1:12



TWO STORY HIGH SLOPE BUTTERFLY ROOF STYLE
ROOF SLOPE = 2:12

Hollin Hills Roof Profile Diagrams



TWO STORY HIGH SLOPE GABLE ROOF STYLE
ROOF SLOPE = 2:12